

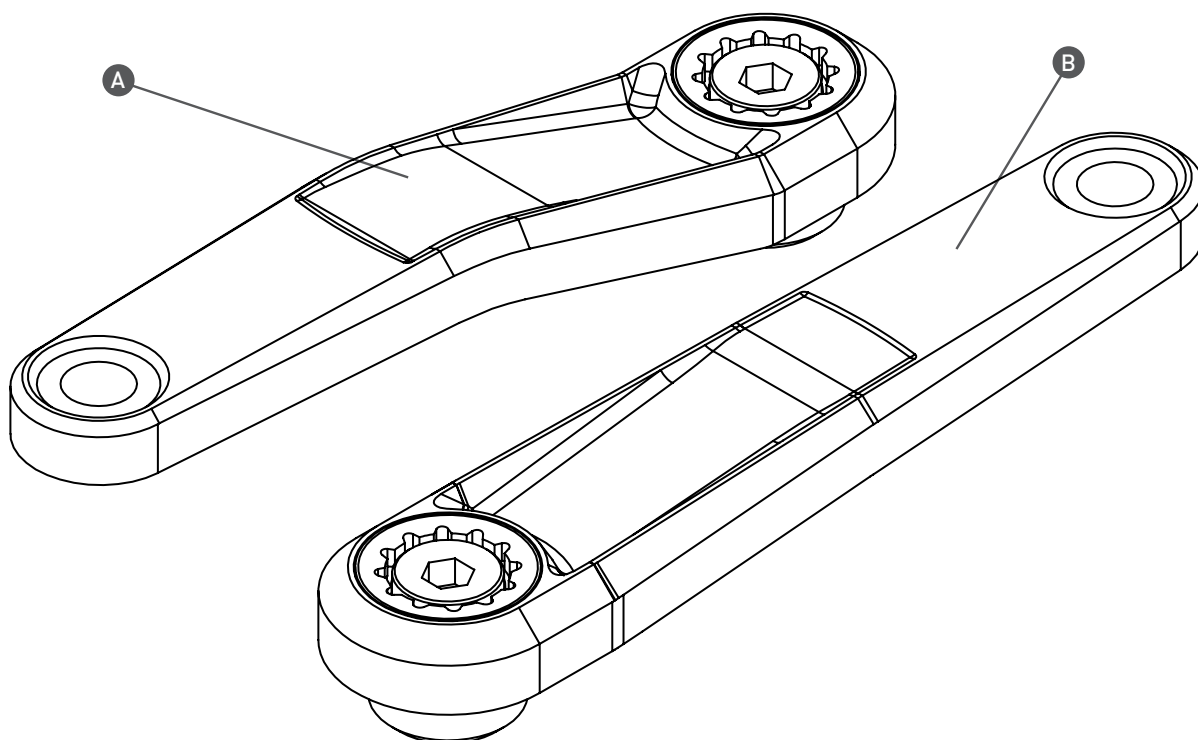
TIPS AND TRICKS

FOR BUZZ BARS V3.0

COMPATIBLE WITH **BAFANG BBSHD/BBS01/BBS02 MOTOR**

INCLUDES

- A** 1X LEFT OFFSET BUZZ BAR
- B** 1X RIGHT STRAIGHT BUZZ BAR



INSTALL TIPS

- Clean and lubricate axle with a multi-purpose grease before install.
- Apply Loctite 243 to bolt thread.
- Make sure left and right cranks are on the correct sides.
- Tighten to 60Nm

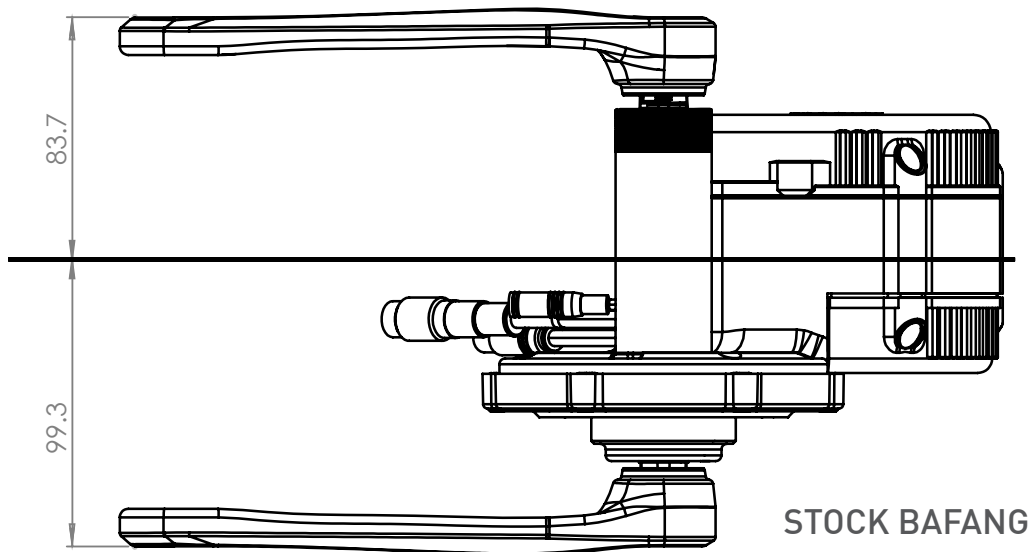
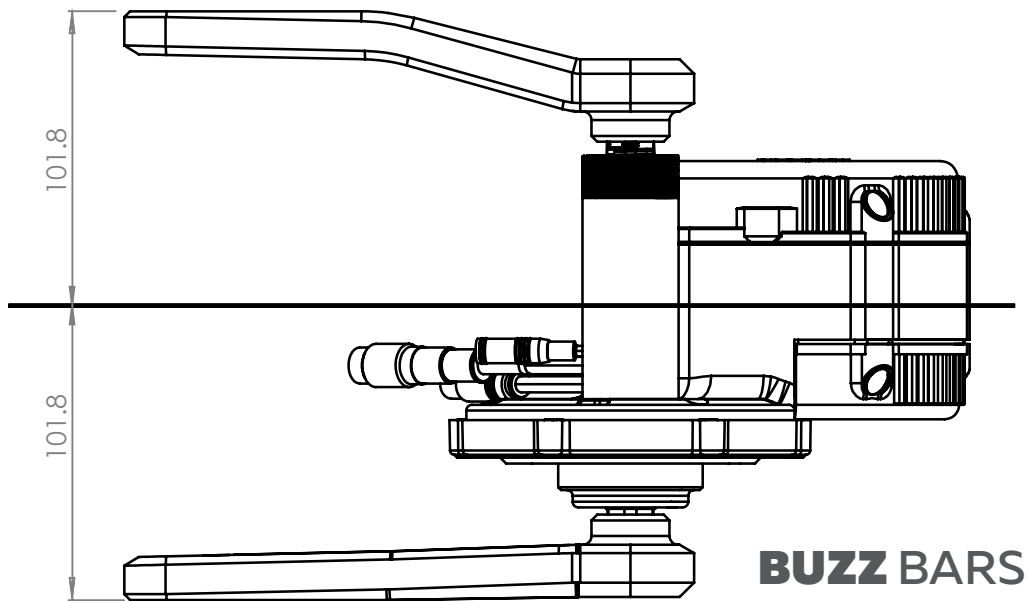
PEDAL INSTALL

- Grease pedal thread with a multi-purpose grease before install.
- Make sure left and right pedals are on the correct sides.
- Note left pedal is left hand thread (counter-clockwise to tighten).
- Tighten to 31-34Nm.

Q-FACTOR

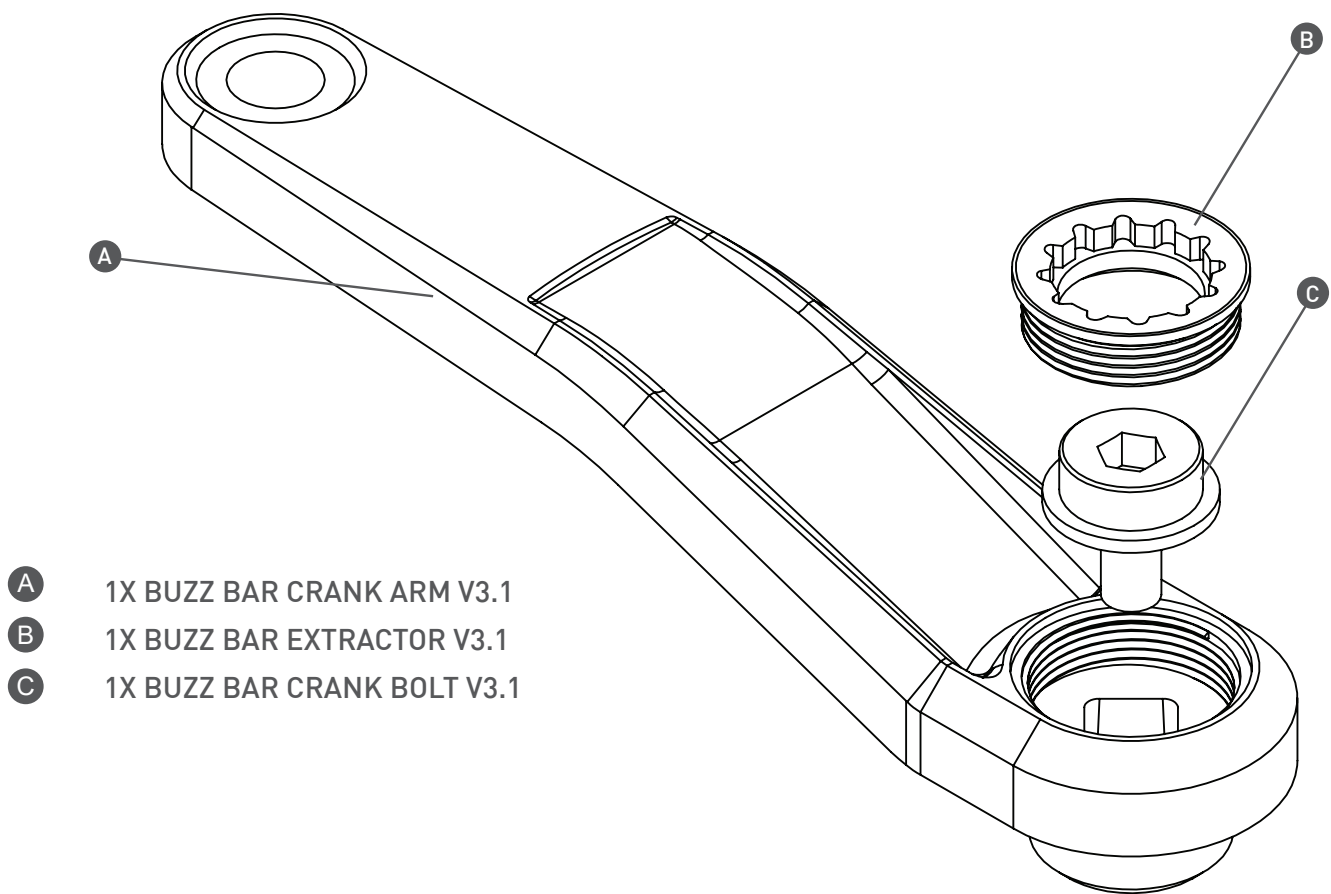
To optimize your riding experience you want your cranks to be centered. Unfortunately the geometry of the motors offset the axle to one side.

We designed the Lekkie BuzzBars to counter this motor design flaw, with the left crank having 15.6mm more offset to give you an even Q-factor.



MAINTENANCE

The Buzzbars shouldn't need to be disassembled however if they are creaking or have had a hard life in the elements the an overhaul is a good idea.



- A 1X BUZZ BAR CRANK ARM V3.1
- B 1X BUZZ BAR EXTRACTOR V3.1
- C 1X BUZZ BAR CRANK BOLT V3.1

1. Remove the crank from the motor.
2. Insert **Park Tools FR-5.2** cassette tool into the Buzz Bar Self Extractor V3.1.
3. The Buzz Bar Extractor V3.1 has a **left-hand thread** so to un-screw this turn the extractor turn clockwise.
4. Now you can remove the Buzz Bar Crank Bolt V3.1 which is just sitting in the crank.
5. Clean an residule grease from threads, square taper and any other surfaces.
6. Apply a smudge of multi-purpose grease to the both the underside and outer top lip of the bolt.
7. Apply **Loctite 243** to thread on extractor and thread counter-clockwise into crank arm with the cassette tool. Tighten 12-15Nm.

WARRANTY

At Lekkie we don't accept anything but the best workmanship and quality. If a part has slipped through our QC system and made it to your hands let us know and we will put it right.

If one of our products fails we want to know so we can make our products better. If you destroy a lekkie product in extreme use tell us. We can learn from this and sell you something so suit your needs.

If you are in anyway unhappy with your Lekkie product get in touch so we can put it right.