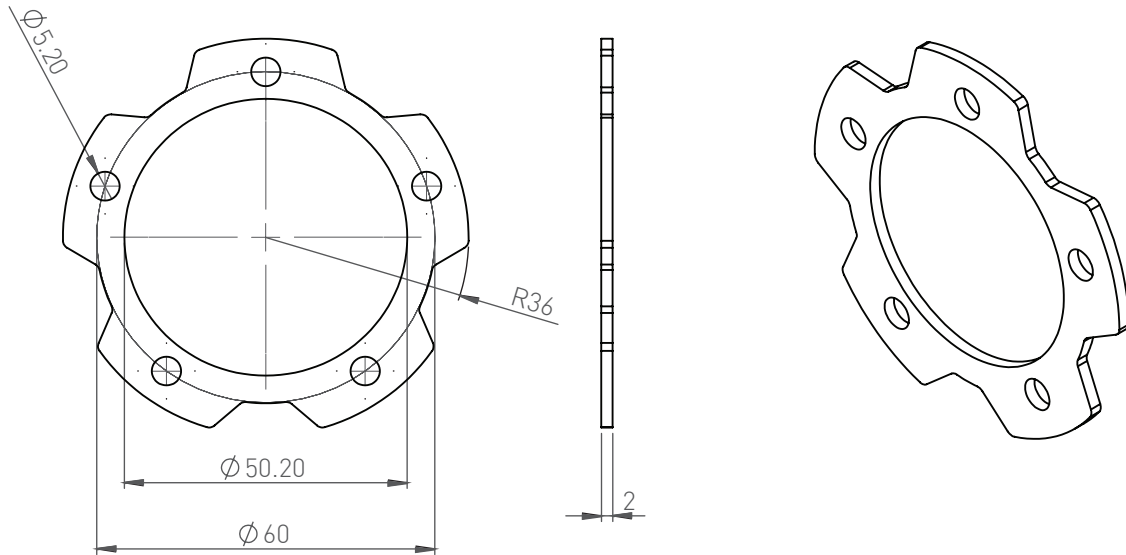


TIPS AND TRICKS

FOR BLING RING SPACER 01/02.
COMPATIBLE WITH **BAFANG BBS01/BBS02 MOTOR**

INCLUDES

1X 2MM BLING RING SPACER 01/02



INSTALL TIPS

Here are some tips to keep in mind while completing the install.

- Use spacer to space your Bling Ring out to clear the chainstays or move chainline out.
- Make sure when you install your Bling Ring you have at least 1.5mm gap between wide tooth and chainstay to allow flex.
- To keep everything running smooth end easy to maintain make sure you grease all metal to metal surfaces.
- Make sure you use longer bolts if you use more than one spacer.
- Tighten bolts to 6Nm.
- Always grease the axle taper before install cranks.

WARRANTY

At Lekkie we don't accept anything but the best workmanship and quality. If a part has slipped through our QC system and made it to your hands let us know and we will put it right.

If one of our products fails we want to know so we can make our products better. If you destroy a lekkie product in extreme use tell us. We can learn from this and sell you something so suit your needs.

If you are in anyway unhappy with your Lekkie product get in touch so we can put it right.